

4

3

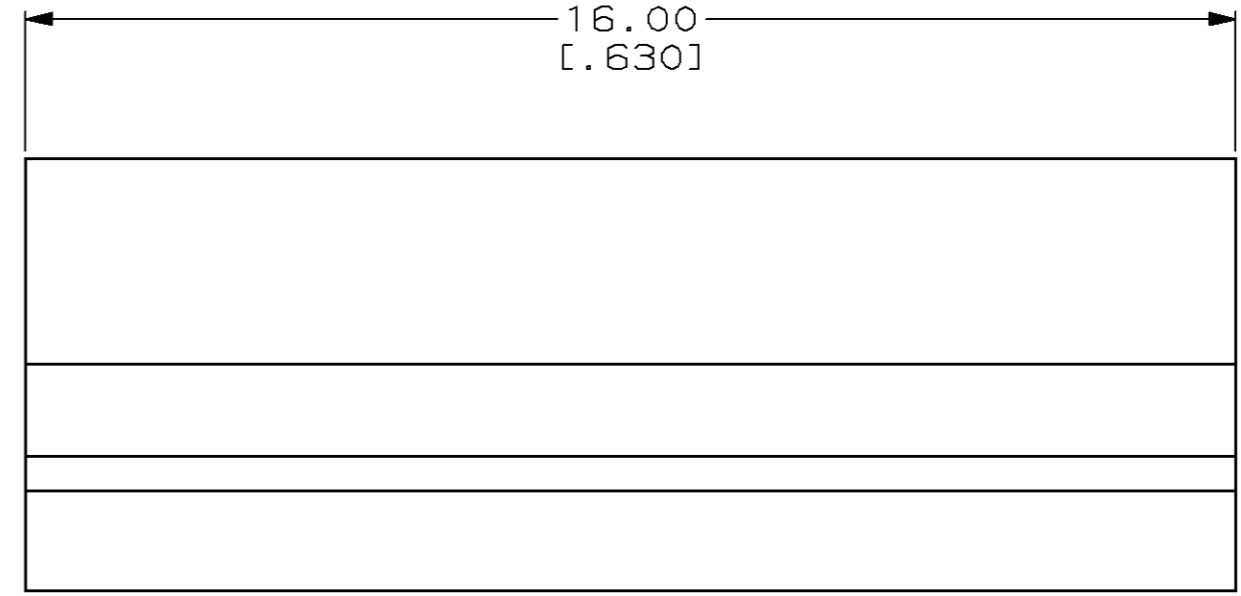
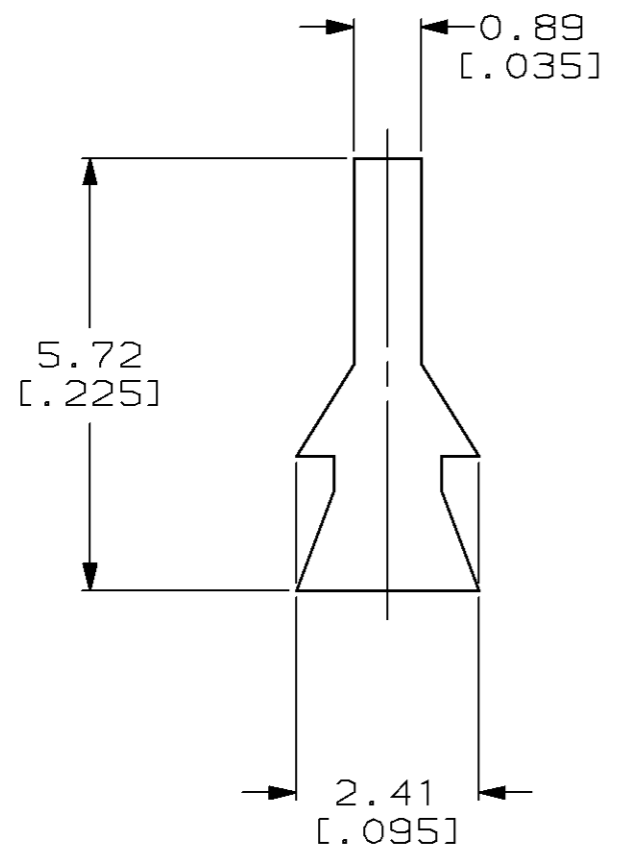
2

1

THIS DRAWING IS UNPUBLISHED. RELEASED FOR PUBLICATION, 19 .

© COPYRIGHT 19 BY AMP INCORPORATED. ALL RIGHTS RESERVED.

LOC	DIST	REVISIONS			
P	LTR	DESCRIPTION	DATE	DWN	APVD
BD	37				
	G	REDRAWN AND REACTIVATED -1 PER EC 0020-417-95	05/01/95	DH	MM



208400-1

PART NUMBER

△ THERMOPLASTIC, BLACK.

THIS DRAWING IS A CONTROLLED DOCUMENT FOR AMP INCORPORATED. IT IS SUBJECT TO CHANGE AND THE CONTROLLING ENGINEERING ORGANIZATION SHOULD BE CONTACTED FOR THE LATEST REVISION.		DWN D.HARDY 05/01/95	AMP Incorporated Harrisburg, PA 17105-3608
DIMENSIONS: mm [INCHES]		CHK W.G.LENKER 05/02/95	
TOLERANCES UNLESS OTHERWISE SPECIFIED:		APVD M.McALONIS 05/03/95	NAME
0 PLC ±- 1 PLC ±- 2 PLC ±0.25 [.010] 3 PLC ±- 4 PLC ±- ANGLES ±-		PRODUCT SPEC -	KEY, CONNECTOR, METRIMATE
MATERIAL △		APPLICATION SPEC -	
FINISH -		WEIGHT -	CAGE CODE 00779
		CUSTOMER DRAWING	DRAWING NO C-208400
			SCALE 10:1 SHEET 1 OF 1 REV G